

AIR DIFFERENTIAL PRESSURE SWITCH



| OVERVIEW |

These Air DP Switches are ideal for verifying the correct operation of ventilation systems by monitoring the pressure differential created by air movement and can be used to provide a BS6173:2009 and IGEM/UP/19 compliant interlock when interfaced with any GasGuard system.

The switches have a range of 20 – 300Pa with an easily adjustable set point and are supplied with a duct kit (2m of hose, 2x pitot tubes & fixing screws).

Dimensions

Height	88mm
Width	92mm
Depth	52mm

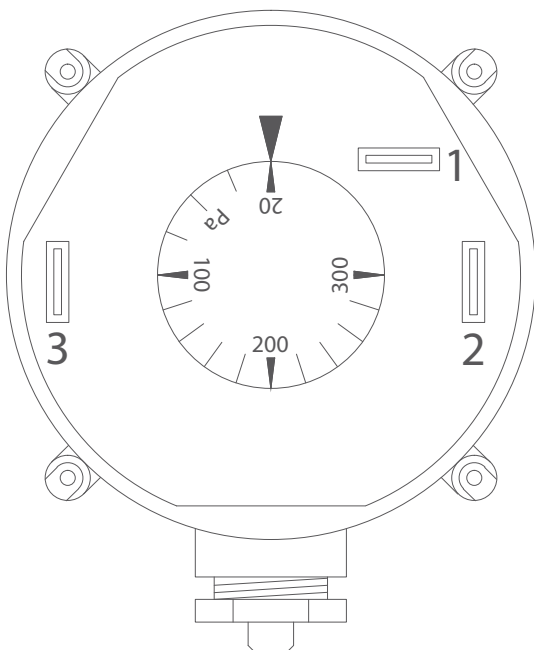
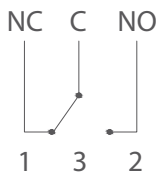
Technical Specification

Output Type	SPDT - 1.5A @ 250V Max
Range	20 – 300Pa
IP Rating	IP54

Part Numbers & Options/Accessories

Part No	Description
AIRDPS	Air Differential Pressure Switch c/w Duct Kit

(Set to Normally Open)



- Wire to Terminals 2 & 3 (Normally Open) when interlocking into a GasGuard Control Panel. The switch will then close when a healthy airflow is detected.
- When monitoring extract ventilation, the pitot tube is to be installed room side of the fan and connected to the P2 (-).
- When monitoring supply ventilation, the pitot tube is to be installed room side of the fan and connected to the P1 (+).
- The second pitot tube shall be installed on the opposite side of the fan, or when not installed the remaining connection shall be left open to atmosphere (ensure protective cap is removed).
- Once installed and with the Fans running at the Minimum acceptable speed the dial is to be set to approximately 20% below the operating pressure.

