



| OVERVIEW |

The Flamefast 0-10V Pressure Transmitter (PTV) is a robust unit for monitoring a wide range of gaseous and liquid media. The full 316L Stainless Steel housing and wetted parts provide excellent media compatibility.

The vented pressure sensor housing removes any concerns associated with vented cables becoming creased, and the M12 connection allows it to be easily fitted without the cable fitted.

PRESSURE TRANSMITTER (PTV)

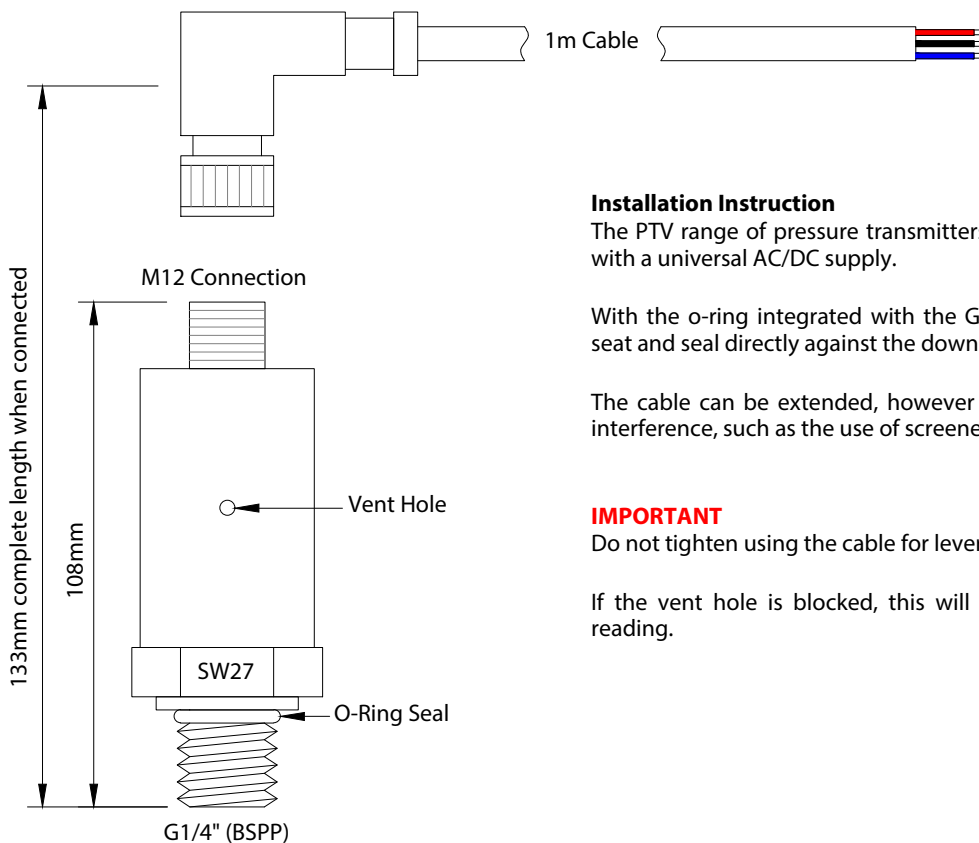
0-10V (24V AC/DC)

TECHNICAL SPECIFICATION

Power Supply	24V AC/DC $\pm 10\%$
Power Consumption	50mA @ 24V Max
Analogue Output	0-10V
Pressure Type	Static
Sensor Type	Piezo-resistive
Seal Material	EPDM
Overload Pressure	2x Full Scale
Media Temp	-30 ~ 80°C
Accuracy	$< \pm 0.50\%$ FS
Repeatability	$< \pm 0.02\%$ FS / Year
Thermal Coefficient	$< \pm 0.02\%$ FS / °C
Process Connection	G1/4 Male (BSPP)
Wetted Parts	Stainless Steel (316L)
IP Rating	IP65
Housing Material	Stainless Steel (316L)
Approval	CE

PART NUMBERS & COMMON ACCESSORIES

PART NO	DESCRIPTION
PT02V-ASSY	Pressure Transmitter - 2 Bar (0-10V) c/w 1m Cable Assembly
PT10V-ASSY	Pressure Transmitter - 10 Bar (0-10V) c/w 1m Cable Assembly
PT40V-ASSY	Pressure Transmitter - 40 Bar (0-10V) c/w 1m Cable Assembly



Electrical Connections

Red	V (+)
Black	V (-)
Blue	Out

Installation Instruction

The PTV range of pressure transmitters provide a full scale linear 0-10V output with a universal AC/DC supply.

With the o-ring integrated with the G1/4" connection, the PTV is designed to seat and seal directly against the downstream ports on valves and pumps.

The cable can be extended, however considerations should be made to stop interference, such as the use of screened cable.

IMPORTANT

Do not tighten using the cable for leverage as this can snap the M12 socket.

If the vent hole is blocked, this will have an adverse effect of the pressure reading.