



WATER SOLENOID VALVE

SERVO-ASSISTED, WRAS, NC, AUTO-RESET

TECHNICAL SPECIFICATION

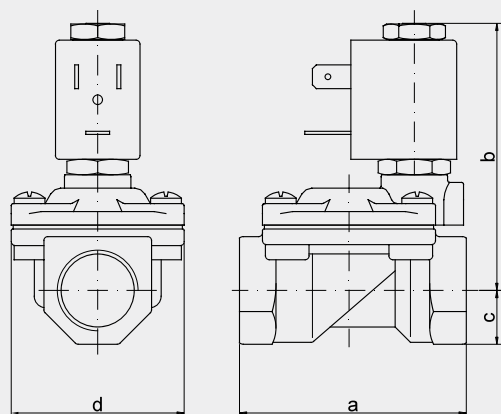
Body Material	Brass
Wetted Parts	Brass & Stainless Steel
Seal Material	EPDM
Max Viscosity	25cSt
Media Temp	-10 ~ 140°C
Operating Temp	-10 ~ 80°C
IP Rating	IP65
Approval	CE, WRAS

PART NUMBERS & COMMON ACCESSORIES

| OVERVIEW |

This 2 Way, Normally Closed, Servo-assisted Diaphragm solenoid valve is suitable for a wide range of liquid and gaseous fluid isolation applications, including Hot Water (please check seal/material compatibility).

All valves are supplied with a pre-wired DIN plug to save on installation time, which also provide the benefit of an IP65 rating.



PART NO	DESCRIPTION
WV15	½" Water Solenoid Valve (230V AC)
WV20	¾" Water Solenoid Valve (230V AC)
WV25	1" Water Solenoid Valve (230V AC)
WV32	1¼" Water Solenoid Valve (230V AC)
WV40	1½" Water Solenoid Valve (230V AC)
WV50	2" Water Solenoid Valve (230V AC)
WV15-24A	½" Water Solenoid Valve (24V AC)
WV20-24A	¾" Water Solenoid Valve (24V AC)
WV25-24A	1" Water Solenoid Valve (24V AC)
WV32-24A	1¼" Water Solenoid Valve (24V AC)
WV40-24A	1½" Water Solenoid Valve (24V AC)
WV50-24A	2" Water Solenoid Valve (24V AC)
WV15-24D	½" Water Solenoid Valve (24V DC)
WV20-24D	¾" Water Solenoid Valve (24V DC)
WV25-24D	1" Water Solenoid Valve (24V DC)
WV32-24D	1¼" Water Solenoid Valve (24V DC)
WV40-24D	1½" Water Solenoid Valve (24V DC)
WV50-24D	2" Water Solenoid Valve (24V DC)

PART NUMBER	SIZE (NPT)	ORIFICE (mm)	FLOW FACTOR Cv (gpm)	OPERATING PRESSURE DIFF.		NOMINAL POWER			OVERALL DIMENSIONS (ex CABLE)					
				MIN (Bar)	MAX	AC		DC (W)	a (mm)	b (mm)	c (mm)	d (mm)	Weight (Kg)	
						Inrush (VA)	Holding (VA)							
WV15	½	12	2.89	0.15	15	15	12	8	6.5	59	70	14	45	0.39
WV20	¾	18	6.36	0.15	13	13	12	8	6.5	79	76	18	55	0.65
WV25	1	25	11.79	0.15	10	10	12	8	6.5	96	85	20	72	1.05
WV32	1¼	30	17.34	0.15	10	10	12	8	6.5	119	92	25	85	1.7
WV40	1½	37	24.3	0.15	10	10	20	15	10	142	105	25	10	2.85
WV50	2	50	41.6	0.15	10	10	20	15	10	158	115	35	119	4.3